

Datasheet

Advantech

AIR-150

26 TOPS AI Inference System Intel 13th Gen. with Hailo-8 AI

FORTEC
UNITED STATES



FORTEC
INTEGRATED



FORTEC
UNITED KINGDOM



The information contained in this document has been carefully researched and is, to the best of our knowledge, accurate. However, we assume no liability for any product failures or damages, immediate or consequential, resulting from the use of the information provided herein. Our products are not intended for use in systems in which failures of product could result in personal injury. All trademarks mentioned herein are property of their respective owners. All specifications are subject to change without notice.

AIR-150

26 TOPS AI Inference System Intel 13th Gen. with Hailo-8 AI

NEW



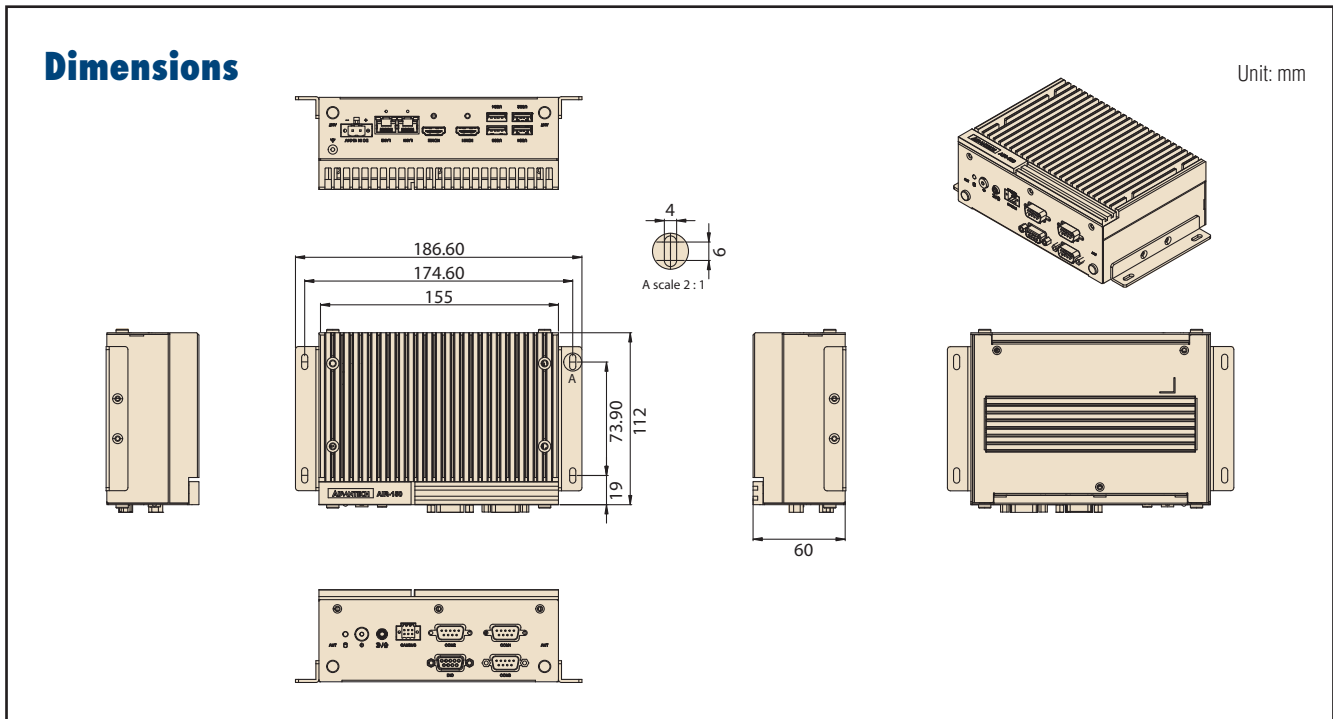
Features

- 13th gen. Intel Core i3/i5 up to 14 Watt with 10 Cores
- Empowered by Hailo-8 M.2 AI module up to 26 TOPS
- Compact Fanless 156 x 112 x 60mm dimensions
- Dual 4K lockable HDMI 2.0b, 4096x2160 resolution
- Vertical I/O: 3x COM/1x DIO/2x CANBus/2x LAN/4x USB
- Rich AI toolkits for runtime integration and model deployment
- Flexible expansion with 3x M.2:
M key 2280 (NVMe storage),
E key 2230 (Wi-Fi),
B key 3042 (Hailo AI)
- Suitable for Industrial usage:
-20~60°C wide temperature and 12-24V wide voltage support

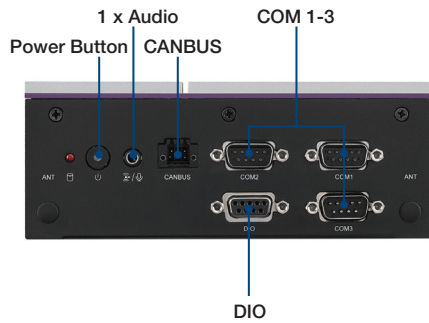
WISE-DeviceOn HAILO EdgeAI SDK LISTED C-UL US CE FC

Specifications

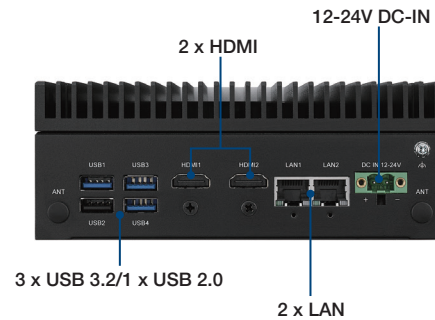
Name		AIR-150-S44A1	AIR-150-S24A1
Processor System	CPU	Core i5-1345UE	Core i3-1315UE
	System Chipset	Integrated in CPU	
Memory	Technology	Dual Channel DDR5 5200 MHz 262 pin SO-DIMM	
	Capacity	Max. capacity 64GB	
Graphics	Chipset	Intel® Iris® Xe Graphics eligible	Intel® UHD Graphics for 13th Gen Intel® Processors
	Graphic Engine	Direct X 12.1, OpenGL 4.6	
		HW Encode: H.265/HEVC, H.264/AVC, VP9, SCC HW Decode: H.265/HEVC, H.264/AVC, VP9, SCC	
	HDMI	2x HDMI 2.0b: 4096x2160@60Hz, Dual Display	
Storage	SSD/M.2	SATA Slim M-Key 2280 (SATA, PCIe4 Gen.4 NVMe)	
	I/O Interface	LAN1	10/100/1000 Mbps Intel i219 1GbE
I/O Interface	LAN2	100/1000/2500 Mbps Intel i226 2.5 GbE	
	USB 2.0/USB 3.2	1/3	
	Audio	1 x Mic-in / Line-out, Realtek ALC888S HD Audio	
	COM	2 x RS-232/422/485 1x RS-485 (COM3)	
	DIO	DB9 8 bit, 1 port	
	CANBus	2x3 pin, 2 ports	
	Expansion	M.2	1 x E-Key 2230 (PCIex1, USB2.0) 1 x B-Key 3042/3052 w/ Nano SIM (PCIex1, USB 3.2) *Default bundled with Hailo AI module B+M key 1 x M-Key 2280 (SATA, PCIe4)
Trusted Platform Module	TPM 2.0	SLB9670XQ2.0 (on board)	
Power Requirement	Power Input Voltage	12-24 V _{DC}	
	Power Type	ATX/AT mode (Default ATX)	
Power Consumption	Typical (OS idle mode)	17.9W	
	Max. (Full loading)	45.81W	
Physical Characteristics	Mounting	Wall Mounting/Din-Rail	
	Dimensions (W x H x D)	156 x 112 x 60 mm	
	Weight	1.3 kg	
Environment	Operating Temperature	-20 ~ 60 °C, with 0.7m/s air flow	
	Storage Temperature	-40 ~ 85 °C (-40 ~ 185°F)	
	Relative Humidity	95% @ 40 °C (non-condensing)	
	Vibration during Operation	3 Grms, IEC60068-2-64, random, 5-500 Hz, 1hr/axis (with Wall Mount)	
	Shock during Operation	30 G, IEC-60068-2-27, half sine, 11 ms duration (with Wall Mount)	
Software Support	Microsoft Windows	Windows 10/ Windows 11 IoT 64-bit	
	Linux	Ubuntu 22.04	
Certification	EMC	CE/FCC Class B, Heavy Industry 61000-6-4, 61000-6-2, CCC, BSMI	
	Safety	UL, CB, CCC, BSMI	



Front View



Rear View



Ordering Information

Part No.	CPU	Memory	Storage	Hailo AI module	Display	LAN	USB	CANbus	DIO	RS-232/422/485	M.2	Power Input	Operating Temp.	Audio
AIR-150-S44A1	Intel Core i5-1345UE	UP to 64GB	1x SATA Slim	1x M.2 B+M key 2242	2 x HDMI	2 (1GbE/2.5GbE)	3 x 3.2 1 x 2.0	2	1	3	E-key 2230 & B-Key 3042 & M-Key 2280	12-24 V _{DC}	-20 ~ 60 °C	Mic-in/ Line-out
AIR-150-S24A1	Intel Core i3-1315UE	UP to 64GB	1x M-Key 2280											

* System Made in Taiwan

Packing List

Part Number	Description
-	1 x AIR-150 unit
1960052226N004	2 x Wallmount
2006R15000	1 x User manual (Simplified Chinese)
36WSWPD0BUND11	1 x WISE-DeviceOn Package
1652000099	1x Phoenix connector counterpart
1652008233-01	1x Canbus counterpart

Optional Items

Part Number	Description
96PSA-A90W190T-3	90W Power Adaptor (19V DC in)
1700001524	Power Cable 3-pin 180cm, USA type
170203183C	Power Cable 3-pin 180cm, Europe type
170203180A	Power Cable 3-pin 180cm, UK type
1700008921	Power Cable 3-pin PSE Mark 183cm
AMK-R006E	DIN-Rail Mounting for EI-53

Embedded OS

Part Number	Description
20706WX1VS0082	Win 10 IoT 64 bit w/ WISE Device-On Core i3/i5 SKU
20706U22DS0036	Ubuntu Desktop 22.04 LTS 64bit

Our company network supports you worldwide with offices in Germany, Austria, Switzerland, the UK and the USA.
For more information please contact:

Headquarters

Germany



FORTEC
GROUP

FORTEC Elektronik AG
Augsburger Str. 2b
82110 Germering

Phone: +49 89 894450-0
E-Mail: info@fortecag.de
Internet: www.fortecag.de

Fortec Group Members

Austria



FORTEC
INTEGRATED

FORTEC Integrated GmbH Office Vienna
Nuschinggasse 12
1230 Wien

Phone: +43 1 8673492-0
E-Mail: info@fortec-integrated.de
Internet: www.fortec-integrated.de

Germany



FORTEC
INTEGRATED

FORTEC Integrated GmbH
Augsburger Str. 2b
82110 Germering

Phone: +49 89 894363-0
E-Mail: info@fortec-integrated.de
Internet: www.fortec-integrated.de

Switzerland



FORTEC
SWITZERLAND

FORTEC Switzerland AG
Bahnhofstraße 3
5436 Würenlos

Phone: +41 44 7446111
E-Mail: info@fortec.ch
Internet: www.fortec.ch

United Kingdom



FORTEC
UNITED KINGDOM

FORTEC Technology UK Ltd.
Osprey House, 1 Osprey Court
Hinchingbrooke Business Park
Huntingdon, Cambridgeshire, PE29 6FN

Phone: +44 1480 411600
E-Mail: info@fortec.uk
Internet: www.fortec.uk

USA



FORTEC
UNITED STATES

FORTEC US, Corp.
87 Raynor Avenue, Unit 1
Ronkonkoma, NY 11779

Phone: +1 631 5804360
E-Mail: info@fortec.us
Internet: www.fortec.us